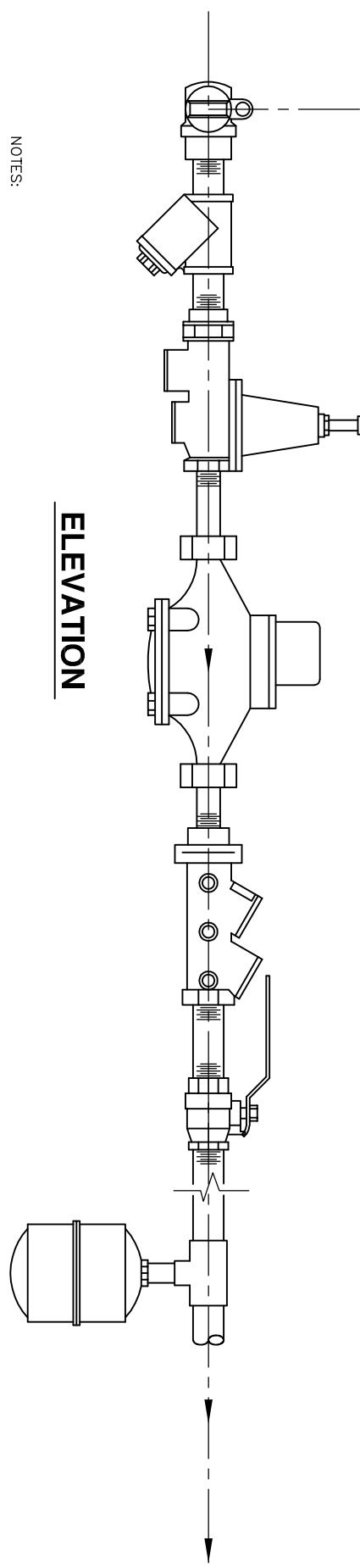


PLAN



ELEVATION

- NOTES:
1. IN SOME CASES A REDUCED PRESSURE ZONE TYPE BACKFLOW PREVENTER MAY BE REQUIRED. THE AUTHORITY SHALL MAKE THIS DETERMINATION
 2. ALL PIPE & FITTINGS FROM FLARED ANGLE VALVE THROUGH LAST BALL VALVE MUST BE BRASS THREADED.

M.A.T.R.

**TYPICAL RESIDENTIAL
METER INSTALLATION DETAIL**

DR. BY: C.J.R. DATE: 02-06-08

CK. BY: D.J.E. SCALE: NO SCALE

NIRA Consulting Engineers, Inc.